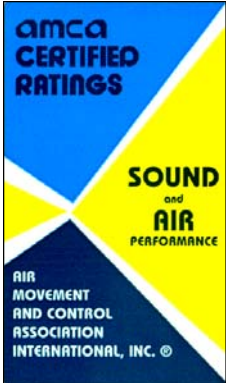
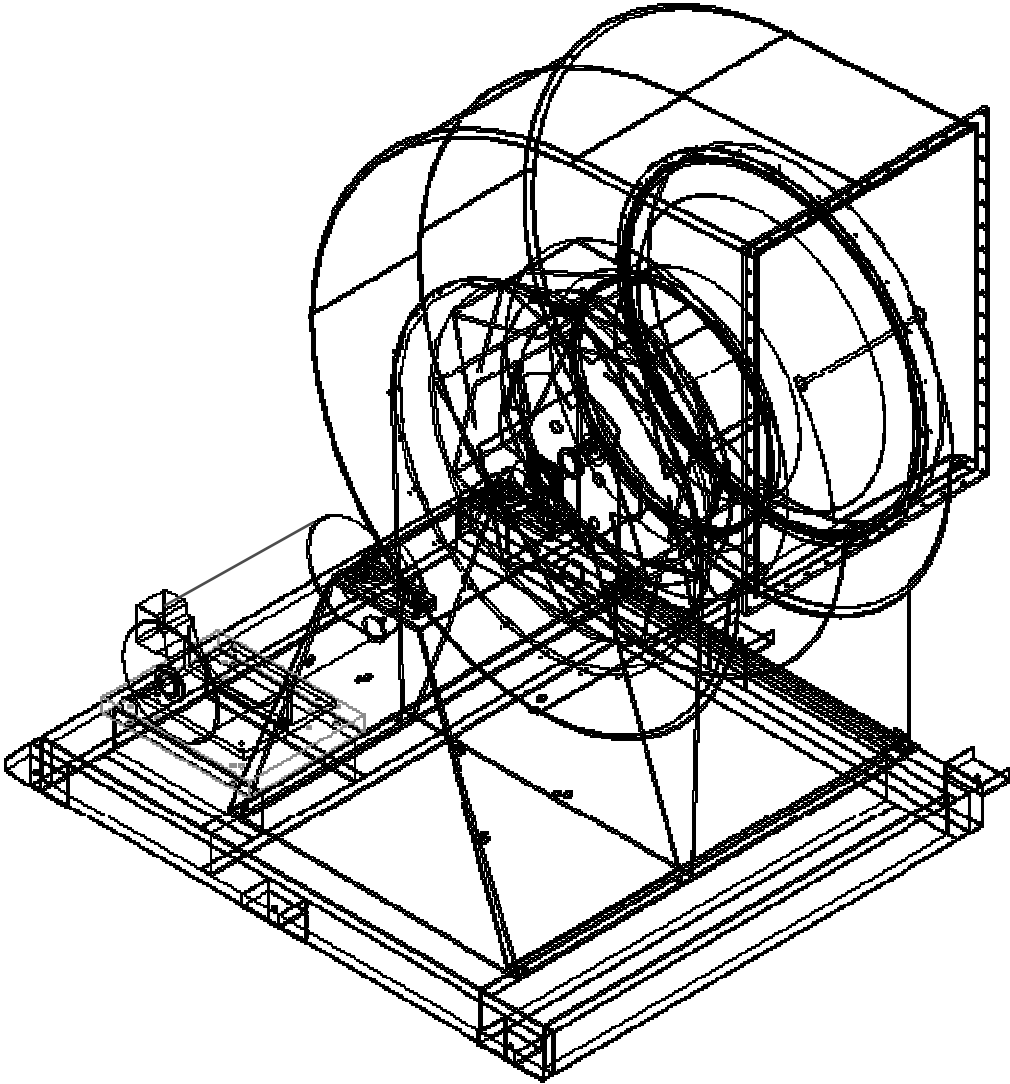


Universal Fan & Blower Ltd.

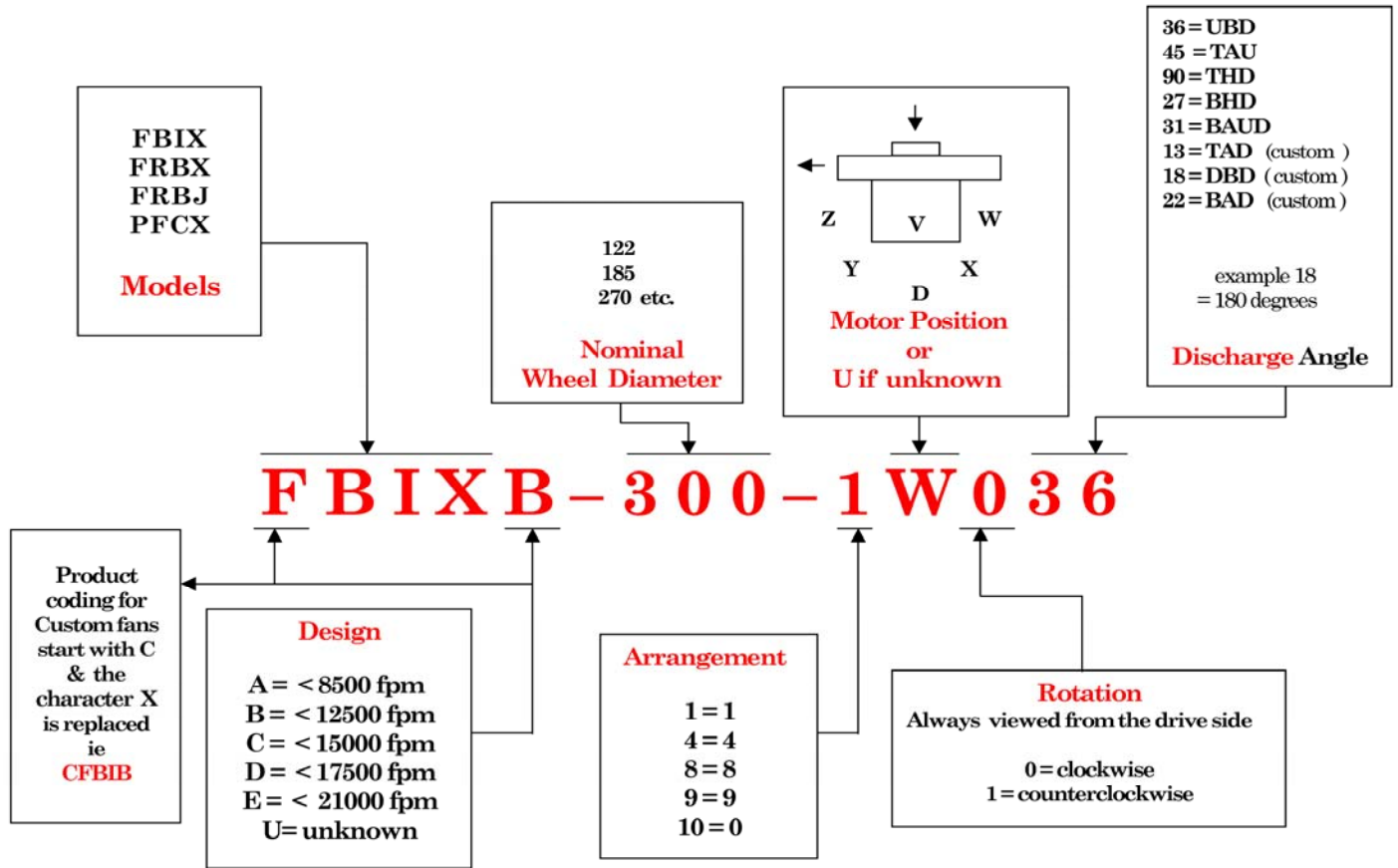
The Composite Fan Company

PRINT-003-MI
May 2006



**Model FBIX
Composite FRP Fans
*Air Tables***

Product Coding ~ Centrifugal Fans



Universal Fan & Blower Ltd. certifies that the FBIX type fans shown herein are licensed to bear the AMCA seal.

The ratings are based upon tests and procedures performed in accordance with AMCA publications 211 and 311 and comply with the requirements of the AMCA certified ratings program.

Refer to bulletin: PRINT-007-MI dated November 2003 for the FBIX Sound Ratings



Static Pressure		0.500"		1.000"		1.500"		2.000"		3.000"		4.000"		5.000"		6.000"		7.000"		8.000"		9.000"	
CFM	OV	RPM	BHP	RPM	BHP	RPM	BHP	RPM	BHP	RPM	BHP	RPM	BHP	RPM	BHP	RPM	BHP	RPM	BHP	RPM	BHP	RPM	BHP
286	333	920	0.04																				
774	900	1150	0.1	1413	0.19	1650	0.28	1871	0.39	2261	0.64	2598	0.9							Unshaded Area = Design B			
860	1000	1219	0.12	1463	0.21	1685	0.31	1894	0.42	2275	0.68	2607	0.96	2904	1.26	3175	1.58						
1032	1200	1368	0.17	1579	0.27	1779	0.38	1965	0.49	2313	0.76	2634	1.07	2924	1.39	3190	1.74	3437	2.1	3668	2.47		
1204	1400	1507	0.23	1714	0.35	1891	0.46	2062	0.59	2378	0.87	2675	1.18	2955	1.54	3215	1.91	3457	2.29	3685	2.69	3901	3.1
1376	1600	1619	0.3	1862	0.44	2019	0.57	2174	0.7	2467	1	2739	1.32	3000	1.68	3250	2.08	3486	2.49	3710	2.92	3922	3.36
1548	1800	1748	0.38	2009	0.55	2162	0.69	2299	0.84	2571	1.15	2826	1.49	3066	1.86	3300	2.26	3526	2.69	3743	3.14	3951	3.61
1720	2000	1899	0.49	2143	0.68	2311	0.84	2439	1	2686	1.33	2927	1.69	3153	2.07	3370	2.47	3582	2.91	3788	3.38	3989	3.86
1892	2200	2058	0.61	2255	0.81	2457	1.01	2586	1.18	2813	1.53	3037	1.91	3253	2.31	3459	2.73	3657	3.17	3850	3.64	4040	4.14
2064	2400	2220	0.77	2373	0.95	2594	1.2	2735	1.4	2951	1.77	3158	2.16	3362	2.59	3559	3.03	3747	3.48	3930	3.96	4108	4.46
2236	2600	2385	0.94	2512	1.13	2711	1.39	2880	1.63	3098	2.04	3288	2.45	3479	2.89	3666	3.35	3848	3.83	4022	4.32	4192	4.83
2408	2800	2552	1.15	2663	1.34	2821	1.59	3013	1.88	3246	2.34	3429	2.77	3605	3.23	3782	3.71	3956	4.21	4124	4.72	4287	5.25
2580	3000	2720	1.38	2821	1.59	2946	1.83	3129	2.13	3394	2.67	3575	3.13	3740	3.6	3906	4.1	4070	4.62	4232	5.15	4390	5.7
2924	3400	3059	1.95	3145	2.17	3239	2.42	3360	2.7	3672	3.4	3872	3.96	4031	4.49	4178	5.02	4323	5.57	4469	6.14	4614	6.73
3096	3600	3229	2.29	3310	2.52	3396	2.77	3497	3.05	3791	3.78	4018	4.42	4180	4.99	4324	5.55	4461	6.11	4599	6.7	4736	7.3
3268	3800	3400	2.66	3476	2.91	3556	3.17	3644	3.45	3900	4.17	4158	4.91	4328	5.53	4472	6.12	4605	6.71	4735	7.31	4865	7.93

Static Pressure		10.000"		11.000"		12.000"		13.000"		14.000"		15.000"		16.000"		17.000"		18.000"		19.000"		20.000"	
CFM	OV	RPM	BHP	RPM	BHP	RPM	BHP	RPM	BHP	RPM	BHP	RPM	BHP	RPM	BHP	RPM	BHP	RPM	BHP	RPM	BHP	RPM	BHP
1892	2200	4226	4.66	4407	5.2	4583	5.76	4754	6.34	4920	6.92	5081	7.51	5238	8.11	5390	8.71						
2064	2400	4284	4.98	4457	5.54	4627	6.11	4793	6.7	4955	7.31	5113	7.93	5268	8.56	5418	9.2						
2236	2600	4358	5.36	4522	5.91	4684	6.49	4843	7.09	5000	7.72	5153	8.35	5304	9.01	5452	9.67						
2408	2800	4446	5.79	4602	6.35	4755	6.93	4906	7.53	5056	8.16	5204	8.81	5350	9.48								
2580	3000	4544	6.26	4693	6.84	4840	7.43	4984	8.04	5126	8.67	5268	9.32	5407	9.99								
2924	3400	4758	7.33	4898	7.95	5036	8.58	5170	9.22	5302	9.87	5432	10.54							Shaded Area = Design D			
3096	3600	4873	7.93	5009	8.57	5143	9.22	5274	9.88	5402	10.55												
3268	3800	4996	8.57	5126	9.23	5255	9.9	5382	10.59														
3440	4000	5125	9.27	5249	9.94	5372	10.63																
3612	4200	5260	10.03	5378	10.71																		
3956	4600																						
4300	5000																						

"Performance certified are for Installation type D "Ducted Inlet,Ducted Outlet".

Power Rating (BHP) does not include transmission losses.

Performance ratings do not include the effects of appurtenances (accessories)."

Static Pressure		0.500"		1.000"		1.500"		2.000"		3.000"		4.000"		5.000"		6.000"		7.000"		8.000"		9.000"		
CFM	OV	RPM	BHP	RPM	BHP	RPM	BHP	RPM	BHP	RPM	BHP	RPM	BHP	RPM	BHP	RPM	BHP	RPM	BHP	RPM	BHP	RPM	BHP	
350	333	835	0.05																					
947	900	1047	0.13	1285	0.23	1499	0.34	1699	0.48	2053	0.78	2358	1.1											
1052	1000	1111	0.15	1332	0.26	1532	0.38	1721	0.52	2065	0.83	2366	1.17	2635	1.53	2881	1.92	Unshaded Area = Design B						
1263	1200	1247	0.21	1438	0.33	1619	0.46	1786	0.61	2101	0.93	2391	1.31	2654	1.7	2896	2.12							
1473	1400	1373	0.29	1562	0.43	1721	0.57	1876	0.72	2161	1.06	2430	1.45	2683	1.87	2919	2.33	3138	2.8	3345	3.28	3540	3.79	
1684	1600	1475	0.37	1698	0.54	1839	0.7	1979	0.86	2244	1.22	2489	1.62	2725	2.05	2951	2.53	3165	3.04	3368	3.56	3560	4.09	
1894	1800	1595	0.47	1832	0.68	1971	0.85	2095	1.03	2340	1.41	2570	1.83	2787	2.27	2998	2.76	3202	3.28	3399	3.83	3587	4.41	
2104	2000	1734	0.6	1953	0.83	2107	1.04	2223	1.23	2446	1.63	2663	2.07	2868	2.53	3064	3.03	3254	3.56	3441	4.12	3622	4.72	
2315	2200	1879	0.76	2054	0.99	2240	1.25	2358	1.46	2562	1.88	2765	2.35	2960	2.84	3145	3.35	3324	3.88	3499	4.45	3670	5.06	
2525	2400	2028	0.95	2164	1.17	2364	1.47	2494	1.72	2690	2.18	2875	2.66	3060	3.17	3238	3.71	3408	4.27	3573	4.84	3734	5.45	
2736	2600	2179	1.17	2293	1.4	2469	1.71	2625	2.01	2824	2.51	2996	3.01	3167	3.55	3337	4.11	3501	4.69	3659	5.29	3812	5.91	
2946	2800	2332	1.42	2431	1.66	2571	1.96	2746	2.31	2960	2.88	3125	3.41	3284	3.96	3443	4.55	3600	5.16	3752	5.79	3900	6.43	
3157	3000	2486	1.71	2576	1.96	2688	2.25	2850	2.63	3095	3.28	3259	3.86	3408	4.43	3557	5.04	3706	5.67	3852	6.32	3995	6.99	
3578	3400	2795	2.42	2873	2.69	2957	2.99	3064	3.33	3346	4.18	3531	4.88	3675	5.52	3808	6.17	3938	6.84	4070	7.54	4201	8.26	
3788	3600	2951	2.84	3024	3.12	3101	3.43	3191	3.77	3454	4.65	3663	5.45	3811	6.15	3941	6.83	4065	7.52	4189	8.23	4313	8.97	
3999	3800	3108	3.3	3176	3.6	3247	3.92	3327	4.26	3553	5.13	3790	6.05	3947	6.81	4077	7.54	4198	8.26	4315	8.99	4432	9.75	

Static Pressure		10.000"		11.000"		12.000"		13.000"		14.000"		15.000"		16.000"		17.000"		18.000"		19.000"		20.000"	
CFM	OV	RPM	BHP	RPM	BHP	RPM	BHP	RPM	BHP	RPM	BHP	RPM	BHP	RPM	BHP	RPM	BHP	RPM	BHP	RPM	BHP	RPM	BHP
2315	2200	3838	5.69	4002	6.35	4162	7.03	4317	7.73	4467	8.44	4613	9.16	4755	9.89	4893	10.63						
2525	2400	3893	6.09	4049	6.76	4203	7.46	4353	8.18	4500	8.92	4643	9.68	4783	10.44	4919	11.22						
2736	2600	3962	6.56	4110	7.23	4255	7.93	4399	8.66	4541	9.42	4680	10.2	4817	10.99	4950	11.81						
2946	2800	4043	7.09	4184	7.77	4322	8.48	4459	9.21	4594	9.97	4728	10.76	4859	11.57								
3157	3000	4133	7.67	4268	8.38	4401	9.1	4531	9.84	4660	10.6	4787	11.39	4913	12.21								
3578	3400	4330	8.99	4457	9.75	4582	10.52	4703	11.29	4822	12.09	4940	12.9					Shaded Area = Design D					
3788	3600	4437	9.73	4559	10.51	4680	11.31	4798	12.11	4914	12.93												
3999	3800	4549	10.53	4667	11.33	4783	12.15	4898	12.98														
4209	4000	4668	11.39	4780	12.21	4891	13.05																
4419	4200	4793	12.33	4899	13.17																		
4840	4600																						
5261	5000																						

"Performance certified are for Installation type D "Ducted Inlet,Ducted Outlet".

Power Rating (BHP) does not include transmission losses.

Performance ratings do not include the effects of appurtenances (accessories)."

Static Pressure		0.500"		1.000"		1.500"		2.000"		3.000"		4.000"		5.000"		6.000"		7.000"		8.000"		9.000"	
CFM	OV	RPM	BHP	RPM	BHP	RPM	BHP	RPM	BHP	RPM	BHP	RPM	BHP	RPM	BHP	RPM	BHP	RPM	BHP	RPM	BHP	RPM	BHP
430	333	751	0.06																				
1162	900	940	0.16	1154	0.28	1348	0.42	1529	0.59	1847	0.95	2121	1.35										
1291	1000	997	0.19	1196	0.32	1377	0.46	1547	0.63	1858	1.02	2129	1.44	2371	1.88	2593	2.36	Unshaded Area = Design B					
1549	1200	1118	0.26	1290	0.41	1454	0.57	1605	0.74	1890	1.15	2151	1.61	2388	2.09	2605	2.61						
1808	1400	1231	0.35	1401	0.52	1545	0.7	1685	0.89	1942	1.3	2185	1.78	2413	2.31	2626	2.86	2824	3.44	3010	4.04	3186	4.66
2066	1600	1323	0.45	1522	0.66	1650	0.85	1776	1.06	2016	1.5	2237	1.98	2450	2.52	2654	3.11	2847	3.74	3030	4.38	3203	5.04
2324	1800	1429	0.57	1642	0.83	1767	1.04	1879	1.26	2101	1.73	2309	2.24	2505	2.79	2695	3.39	2880	4.03	3057	4.71	3227	5.42
2582	2000	1552	0.73	1751	1.02	1889	1.27	1993	1.5	2195	2	2391	2.54	2576	3.11	2753	3.71	2926	4.37	3094	5.07	3258	5.8
2840	2200	1682	0.92	1843	1.21	2008	1.52	2114	1.78	2299	2.3	2482	2.87	2658	3.48	2826	4.1	2987	4.77	3145	5.47	3300	6.21
3099	2400	1815	1.15	1940	1.43	2120	1.8	2236	2.1	2412	2.66	2580	3.25	2747	3.88	2908	4.55	3061	5.23	3210	5.94	3356	6.69
3357	2600	1950	1.42	2054	1.7	2215	2.09	2354	2.45	2532	3.06	2687	3.68	2843	4.34	2996	5.03	3144	5.75	3286	6.49	3425	7.25
3615	2800	2087	1.73	2177	2.02	2305	2.39	2463	2.82	2653	3.51	2802	4.17	2946	4.85	3090	5.57	3232	6.32	3370	7.09	3503	7.88
3873	3000	2224	2.08	2306	2.39	2408	2.74	2557	3.21	2774	4.01	2922	4.71	3057	5.42	3192	6.16	3326	6.94	3458	7.74	3587	8.56
4390	3400	2501	2.93	2571	3.27	2648	3.64	2746	4.07	3001	5.1	3165	5.95	3295	6.74	3415	7.54	3533	8.36	3652	9.22	3770	10.11
4648	3600	2641	3.44	2706	3.79	2776	4.17	2858	4.59	3098	5.68	3284	6.65	3417	7.5	3534	8.34	3646	9.19	3758	10.06	3870	10.97
4906	3800	2780	4.01	2842	4.38	2907	4.77	2979	5.19	3187	6.26	3398	7.38	3538	8.31	3655	9.2	3764	10.08	3870	10.99	3976	11.92

Static Pressure		10.000"		11.000"		12.000"		13.000"		14.000"		15.000"		16.000"		17.000"		18.000"		19.000"		20.000"	
CFM	OV	RPM	BHP	RPM	BHP	RPM	BHP	RPM	BHP	RPM	BHP	RPM	BHP	RPM	BHP	RPM	BHP	RPM	BHP	RPM	BHP	RPM	BHP
2840	2200	3452	7	3600	7.81	3743	8.65	3883	9.51	4019	10.38	4150	11.26	4278	12.16	4402	13.08						
3099	2400	3499	7.48	3641	8.31	3779	9.17	3915	10.06	4047	10.97	4176	11.9	4302	12.84	4425	13.8						
3357	2600	3560	8.05	3694	8.88	3826	9.74	3956	10.65	4084	11.58	4209	12.54	4332	13.52	4453	14.52						
3615	2800	3632	8.69	3759	9.53	3884	10.4	4008	11.31	4130	12.25	4251	13.22	4370	14.22								
3873	3000	3712	9.41	3834	10.27	3954	11.15	4072	12.07	4188	13.01	4303	13.99	4417	14.99			Shaded Area = Design D					
4390	3400	3887	11.01	4002	11.94	4114	12.88	4224	13.84	4332	14.82	4438	15.82										
4648	3600	3982	11.91	4093	12.87	4202	13.85	4309	14.84	4413	15.85												
4906	3800	4082	12.88	4188	13.87	4294	14.87	4397	15.9														
5164	4000	4188	13.93	4289	14.94	4390	15.97																
5423	4200	4299	15.06	4395	16.1																		
5939	4600																						
6455	5000																						

"Performance certified are for Installation type D "Ducted Inlet,Ducted Outlet".

Power Rating (BHP) does not include transmission losses.

Performance ratings do not include the effects of appurtenances (accessories)."

Static Pressure		0.500"		1.000"		1.500"		2.000"		3.000"		4.000"		5.000"		6.000"		7.000"		8.000"		9.000"		
CFM	OV	RPM	BHP	RPM	BHP	RPM	BHP	RPM	BHP	RPM	BHP	RPM	BHP	RPM	BHP	RPM	BHP	RPM	BHP	RPM	BHP	RPM	BHP	
523	333	683	0.07																					
1412	900	856	0.19	1051	0.34	1226	0.51	1390	0.72	1679	1.16	1929	1.64											
1569	1000	908	0.23	1089	0.39	1253	0.56	1407	0.77	1690	1.24	1936	1.74	2156	2.29			Unshaded Area = Design B						
1883	1200	1019	0.32	1175	0.5	1324	0.69	1461	0.9	1719	1.39	1956	1.95	2172	2.54	2369	3.16							
2197	1400	1122	0.43	1277	0.63	1407	0.85	1534	1.08	1768	1.58	1987	2.16	2195	2.8	2388	3.47	2568	4.17	2737	4.9	2896	5.65	
2511	1600	1206	0.55	1388	0.81	1504	1.04	1618	1.29	1835	1.82	2036	2.41	2229	3.07	2414	3.78	2590	4.53	2755	5.31	2913	6.11	
2825	1800	1304	0.7	1497	1.01	1611	1.27	1712	1.53	1913	2.11	2102	2.72	2280	3.39	2452	4.11	2619	4.9	2780	5.72	2934	6.58	
3139	2000	1417	0.89	1596	1.24	1722	1.54	1817	1.83	2000	2.43	2178	3.09	2345	3.78	2506	4.51	2662	5.3	2815	6.15	2963	7.04	
3453	2200	1535	1.13	1679	1.48	1831	1.86	1927	2.17	2095	2.81	2260	3.5	2420	4.23	2572	4.99	2719	5.79	2862	6.64	3002	7.54	
3766	2400	1657	1.41	1769	1.75	1932	2.2	2038	2.56	2199	3.24	2351	3.96	2502	4.73	2647	5.53	2787	6.36	2922	7.23	3054	8.13	
4080	2600	1780	1.74	1873	2.08	2019	2.54	2146	2.99	2308	3.74	2449	4.49	2590	5.29	2728	6.13	2863	7	2992	7.89	3118	8.82	
4394	2800	1905	2.11	1987	2.47	2101	2.92	2244	3.45	2419	4.29	2554	5.08	2684	5.91	2815	6.78	2944	7.69	3068	8.62	3189	9.58	
4708	3000	2031	2.55	2105	2.92	2196	3.35	2330	3.91	2530	4.89	2664	5.74	2786	6.6	2908	7.5	3030	8.45	3150	9.42	3266	10.42	
5336	3400	2284	3.6	2347	4	2416	4.45	2504	4.96	2735	6.23	2886	7.27	3004	8.23	3113	9.19	3220	10.19	3327	11.23	3435	12.31	
5650	3600	2411	4.22	2470	4.65	2533	5.1	2607	5.61	2823	6.93	2994	8.12	3115	9.15	3222	10.17	3323	11.2	3425	12.27	3526	13.37	
5964	3800	2539	4.91	2594	5.36	2653	5.83	2718	6.34	2905	7.64	3098	9.01	3226	10.15	3332	11.22	3431	12.3	3527	13.39	3623	14.52	

Static Pressure		10.000"		11.000"		12.000"		13.000"		14.000"		15.000"		16.000"		17.000"		18.000"		19.000"		20.000"		
CFM	OV	RPM	BHP	RPM	BHP	RPM	BHP	RPM	BHP	RPM	BHP	RPM	BHP	RPM	BHP	RPM	BHP	RPM	BHP	RPM	BHP	RPM	BHP	
3453	2200	3140	8.49	3274	9.48	3405	10.5	3531	11.54	3654	12.6	3774	13.67	3890	14.76	4003	15.87							
3766	2400	3184	9.09	3312	10.09	3438	11.13	3561	12.21	3681	13.31	3798	14.44	3913	15.59	4024	16.75							
4080	2600	3240	9.78	3361	10.79	3481	11.83	3599	12.93	3715	14.06	3829	15.22	3940	16.41	4050	17.62							
4394	2800	3307	10.57	3422	11.59	3535	12.64	3647	13.74	3758	14.88	3867	16.05	3975	17.26									
4708	3000	3380	11.44	3491	12.49	3599	13.56	3706	14.67	3811	15.81	3915	16.99	4019	18.21			Shaded Area = Design D						
5336	3400	3541	13.41	3645	14.53	3746	15.68	3846	16.84	3944	18.03	4040	19.23											
5650	3600	3627	14.5	3728	15.67	3827	16.85	3924	18.06	4018	19.28													
5964	3800	3719	15.69	3815	16.89	3911	18.11	4005	19.35															
6277	4000	3816	16.97	3908	18.2	3999	19.46																	
6591	4200	3918	18.36	4005	19.62																			
7219	4600																							
7847	5000																							

"Performance certified are for Installation type D "Ducted Inlet,Ducted Outlet".

Power Rating (BHP) does not include transmission losses.

Performance ratings do not include the effects of appurtenances (accessories)."

Static Pressure		0.500"		1.000"		1.500"		2.000"		3.000"		4.000"		5.000"		6.000"		7.000"		8.000"		9.000"	
CFM	OV	RPM	BHP	RPM	BHP	RPM	BHP	RPM	BHP	RPM	BHP	RPM	BHP	RPM	BHP	RPM	BHP	RPM	BHP	RPM	BHP	RPM	BHP
642	333	617	0.09																				
1736	900	776	0.24	951	0.42	1109	0.63	1257	0.88	1519	1.42	1744	2.01										
1929	1000	824	0.28	986	0.47	1134	0.69	1273	0.94	1528	1.52	1751	2.14	1950	2.8	Unshaded Area = Design B							
2314	1200	924	0.39	1065	0.61	1199	0.85	1323	1.11	1555	1.71	1769	2.39	1964	3.12							2142	3.88
2700	1400	1017	0.53	1158	0.78	1275	1.04	1389	1.33	1600	1.94	1798	2.65	1985	3.43	2159	4.26	2322	5.12	2475	6.01	2619	6.93
3086	1600	1093	0.68	1258	1	1363	1.28	1466	1.58	1662	2.24	1843	2.96	2017	3.76	2184	4.64	2342	5.56	2492	6.52	2634	7.5
3472	1800	1183	0.87	1357	1.25	1460	1.57	1552	1.89	1733	2.59	1903	3.35	2063	4.16	2219	5.05	2370	6.01	2515	7.02	2654	8.07
3857	2000	1286	1.11	1447	1.53	1561	1.91	1647	2.25	1812	2.99	1972	3.8	2123	4.65	2268	5.55	2409	6.51	2547	7.55	2680	8.64
4243	2200	1394	1.4	1522	1.82	1660	2.29	1748	2.68	1898	3.46	2048	4.31	2192	5.2	2329	6.14	2461	7.12	2590	8.16	2716	9.26
4629	2400	1504	1.74	1604	2.16	1752	2.71	1848	3.16	1993	4	2130	4.88	2266	5.82	2398	6.8	2523	7.82	2645	8.88	2764	9.99
5015	2600	1616	2.15	1700	2.57	1829	3.14	1946	3.69	2093	4.61	2220	5.53	2346	6.51	2471	7.54	2592	8.61	2709	9.7	2822	10.84
5400	2800	1730	2.62	1803	3.06	1905	3.6	2035	4.25	2194	5.29	2316	6.26	2433	7.28	2550	8.35	2666	9.46	2779	10.61	2888	11.79
5786	3000	1844	3.16	1910	3.61	1992	4.14	2112	4.83	2294	6.04	2415	7.08	2526	8.14	2635	9.24	2745	10.4	2853	11.6	2958	12.82
6557	3400	2074	4.45	2131	4.96	2193	5.5	2271	6.13	2480	7.69	2617	8.97	2724	10.15	2822	11.34	2918	12.56	3015	13.84	3111	15.15
6943	3600	2189	5.23	2243	5.75	2299	6.31	2365	6.94	2559	8.54	2715	10.02	2825	11.29	2921	12.54	3012	13.81	3104	15.11	3195	16.47
7329	3800	2305	6.08	2355	6.64	2408	7.22	2467	7.84	2632	9.42	2808	11.12	2925	12.52	3022	13.85	3111	15.17	3197	16.51	3283	17.9

Static Pressure		10.000"		11.000"		12.000"		13.000"		14.000"		15.000"		16.000"		17.000"		18.000"		19.000"		20.000"	
CFM	OV	RPM	BHP	RPM	BHP	RPM	BHP	RPM	BHP	RPM	BHP	RPM	BHP	RPM	BHP	RPM	BHP	RPM	BHP	RPM	BHP	RPM	BHP
4243	2200	2841	10.42	2962	11.63	3079	12.88	3194	14.15	3305	15.45	3413	16.77	3518	18.11	3620	19.46						
4629	2400	2881	11.16	2997	12.39	3110	13.66	3221	14.98	3329	16.33	3435	17.72	3539	19.12	3639	20.55						
5015	2600	2933	12.02	3042	13.25	3150	14.53	3256	15.87	3360	17.25	3463	18.68	3564	20.13	3663	21.62						
5400	2800	2994	13	3097	14.24	3200	15.54	3300	16.88	3400	18.27	3499	19.71	3596	21.19								
5786	3000	3061	14.08	3160	15.36	3258	16.67	3354	18.03	3449	19.43	3543	20.87					Shaded Area = Design D					
6557	3400	3207	16.5	3301	17.88	3393	19.29	3482	20.71	3571	22.17	3657	23.65										
6943	3600	3286	17.86	3377	19.29	3466	20.74	3553	22.22	3639	23.72												
7329	3800	3370	19.33	3457	20.79	3543	22.29	3627	23.82														
7715	4000	3459	20.92	3541	22.42	3623	23.96																
8100	4200	3551	22.64	3630	24.17																		
8872	4600																						
9643	5000																						

"Performance certified are for Installation type D "Ducted Inlet,Ducted Outlet".

Power Rating (BHP) does not include transmission losses.

Performance ratings do not include the effects of appurtenances (accessories)."

Static Pressure		0.500"		1.000"		1.500"		2.000"		3.000"		4.000"		5.000"		6.000"		7.000"		8.000"		9.000"		
CFM	OV	RPM	BHP	RPM	BHP	RPM	BHP	RPM	BHP	RPM	BHP	RPM	BHP	RPM	BHP	RPM	BHP	RPM	BHP	RPM	BHP	RPM	BHP	
770	333	563	0.11																					
2080	900	707	0.28	868	0.5	1012	0.76	1147	1.05	1386	1.7	1591	2.41											
2311	1000	751	0.34	899	0.57	1034	0.83	1161	1.13	1394	1.82	1597	2.56	1779	3.36	1945	4.22	Unshaded Area = Design B						
2773	1200	842	0.47	971	0.73	1093	1.02	1206	1.33	1418	2.05	1614	2.87	1792	3.74	1955	4.65							
3236	1400	927	0.64	1055	0.94	1162	1.25	1267	1.59	1459	2.33	1640	3.18	1811	4.12	1970	5.11	2119	6.14	2258	7.21	2390	8.31	
3698	1600	996	0.81	1146	1.19	1242	1.53	1336	1.9	1515	2.68	1681	3.55	1840	4.51	1992	5.56	2137	6.67	2273	7.81	2403	8.99	
4160	1800	1077	1.04	1237	1.5	1331	1.88	1414	2.26	1580	3.1	1735	4.01	1882	4.99	2024	6.05	2162	7.21	2294	8.42	2421	9.68	
4622	2000	1171	1.32	1319	1.83	1423	2.28	1501	2.7	1651	3.59	1798	4.55	1936	5.57	2068	6.65	2197	7.81	2323	9.05	2445	10.36	
5085	2200	1269	1.67	1387	2.18	1513	2.74	1592	3.2	1730	4.14	1867	5.16	1999	6.23	2124	7.35	2244	8.53	2362	9.78	2478	11.1	
5547	2400	1370	2.08	1461	2.58	1596	3.24	1684	3.78	1816	4.78	1942	5.84	2066	6.97	2186	8.15	2301	9.37	2412	10.64	2521	11.98	
6009	2600	1472	2.57	1548	3.07	1667	3.75	1773	4.41	1907	5.51	2023	6.62	2139	7.79	2253	9.03	2364	10.31	2470	11.62	2574	12.99	
6471	2800	1575	3.13	1642	3.65	1736	4.31	1854	5.09	1999	6.33	2110	7.49	2217	8.71	2325	10	2431	11.33	2534	12.71	2633	14.12	
6934	3000	1679	3.77	1740	4.32	1815	4.95	1925	5.77	2090	7.22	2201	8.47	2302	9.74	2402	11.07	2502	12.45	2601	13.89	2697	15.36	
7858	3400	1888	5.32	1940	5.92	1997	6.57	2069	7.33	2260	9.19	2385	10.72	2482	12.14	2571	13.57	2660	15.03	2748	16.56	2836	18.14	
8320	3600	1994	6.24	2042	6.87	2094	7.54	2155	8.29	2332	10.22	2474	11.98	2574	13.51	2662	15	2745	16.52	2829	18.09	2912	19.71	
8783	3800	2099	7.26	2145	7.92	2193	8.62	2247	9.37	2399	11.27	2559	13.3	2665	14.98	2753	16.56	2835	18.15	2914	19.76	2993	21.42	

Static Pressure		10.000"		11.000"		12.000"		13.000"		14.000"		15.000"		16.000"		17.000"		18.000"		19.000"		20.000"	
CFM	OV	RPM	BHP	RPM	BHP	RPM	BHP	RPM	BHP	RPM	BHP	RPM	BHP	RPM	BHP	RPM	BHP	RPM	BHP	RPM	BHP	RPM	BHP
5085	2200	2591	12.5	2702	13.95	2809	15.45	2914	16.98	3015	18.53	3114	20.11	3210	21.72	3303	23.34						
5547	2400	2628	13.38	2733	14.85	2837	16.38	2938	17.96	3037	19.59	3134	21.25	3228	22.93	3320	24.64						
6009	2600	2675	14.4	2775	15.88	2873	17.42	2970	19.03	3065	20.69	3159	22.4	3251	24.14	3342	25.92						
6471	2800	2730	15.57	2825	17.07	2918	18.62	3010	20.23	3101	21.9	3192	23.63	3280	25.41								
6934	3000	2791	16.86	2882	18.4	2971	19.98	3059	21.6	3146	23.28	3232	25.02	3317	26.81			Shaded Area = Design D					
7858	3400	2924	19.76	3010	21.42	3093	23.1	3175	24.81	3256	26.56	3335	28.33										
8320	3600	2996	21.38	3078	23.09	3160	24.84	3240	26.61	3318	28.41												
8783	3800	3072	23.13	3151	24.89	3230	26.69	3307	28.52														
9245	4000	3152	25.03	3228	26.84	3303	28.68																
9707	4200	3237	27.09	3308	28.93																		
10632	4600																						
11556	5000																						

"Performance certified are for Installation type D "Ducted Inlet,Ducted Outlet".

Power Rating (BHP) does not include transmission losses.

Performance ratings do not include the effects of appurtenances (accessories)."

Static Pressure		0.500"		1.000"		1.500"		2.000"		3.000"		4.000"		5.000"		6.000"		7.000"		8.000"		9.000"		
CFM	OV	RPM	BHP	RPM	BHP	RPM	BHP	RPM	BHP	RPM	BHP	RPM	BHP	RPM	BHP	RPM	BHP	RPM	BHP	RPM	BHP	RPM	BHP	
948	333	506	0.14																					
2562	900	634	0.35	779	0.62	909	0.93	1031	1.3	1245	2.1	1430	2.98											
2846	1000	673	0.41	807	0.7	928	1.02	1043	1.4	1253	2.24	1435	3.16	1599	4.15	1748	5.21	Unshaded Area = Design B						
3416	1200	755	0.58	871	0.9	981	1.25	1083	1.64	1274	2.53	1450	3.54	1610	4.61	1757	5.74							
3985	1400	831	0.78	946	1.15	1043	1.54	1137	1.95	1310	2.87	1473	3.92	1627	5.08	1770	6.3	1904	7.57	2029	8.89	2148	10.26	
4554	1600	893	1	1027	1.46	1114	1.88	1198	2.33	1360	3.3	1509	4.37	1652	5.56	1790	6.86	1920	8.23	2043	9.64	2160	11.09	
5123	1800	965	1.27	1108	1.84	1193	2.3	1268	2.78	1417	3.82	1557	4.94	1690	6.14	1818	7.46	1942	8.89	2061	10.39	2176	11.94	
5693	2000	1048	1.62	1182	2.25	1275	2.8	1345	3.31	1481	4.41	1613	5.6	1738	6.85	1857	8.19	1973	9.62	2087	11.16	2197	12.78	
6262	2200	1136	2.04	1244	2.67	1356	3.36	1427	3.93	1551	5.08	1674	6.34	1793	7.67	1906	9.05	2015	10.51	2121	12.05	2225	13.69	
6831	2400	1226	2.55	1309	3.16	1431	3.97	1509	4.63	1628	5.87	1741	7.18	1853	8.57	1961	10.02	2065	11.53	2165	13.1	2264	14.75	
7400	2600	1317	3.14	1387	3.76	1495	4.6	1589	5.41	1709	6.76	1814	8.12	1918	9.58	2021	11.1	2121	12.68	2217	14.3	2310	15.99	
7970	2800	1409	3.82	1470	4.46	1556	5.28	1662	6.24	1791	7.76	1891	9.2	1988	10.7	2085	12.28	2181	13.93	2273	15.63	2363	17.37	
8539	3000	1502	4.6	1557	5.28	1626	6.06	1726	7.08	1873	8.85	1972	10.39	2063	11.95	2154	13.59	2244	15.3	2333	17.07	2420	18.89	
9677	3400	1689	6.49	1736	7.23	1788	8.04	1854	8.98	2026	11.27	2137	13.15	2224	14.89	2305	16.65	2384	18.46	2464	20.35	2544	22.3	
10247	3600	1784	7.61	1828	8.39	1875	9.22	1930	10.15	2091	12.53	2217	14.68	2306	16.56	2385	18.4	2461	20.28	2536	22.21	2612	24.22	
10816	3800	1878	8.86	1919	9.68	1963	10.54	2012	11.47	2151	13.83	2294	16.31	2388	18.36	2467	20.31	2540	22.26	2612	24.25	2683	26.3	

Static Pressure		10.000"		11.000"		12.000"		13.000"		14.000"		15.000"		16.000"		17.000"		18.000"		19.000"		20.000"	
CFM	OV	RPM	BHP	RPM	BHP	RPM	BHP	RPM	BHP	RPM	BHP	RPM	BHP	RPM	BHP	RPM	BHP	RPM	BHP	RPM	BHP	RPM	BHP
6262	2200	2328	15.42	2427	17.21	2524	19.05	2618	20.94	2710	22.87	2798	24.82	2884	26.8	2968	28.81						
6831	2400	2360	16.49	2455	18.31	2548	20.2	2640	22.16	2729	24.17	2816	26.21	2901	28.29	2984	30.4						
7400	2600	2401	17.74	2491	19.57	2580	21.48	2668	23.46	2754	25.51	2838	27.62	2921	29.78	3002	31.98						
7970	2800	2450	19.16	2536	21.02	2620	22.94	2703	24.93	2785	27	2867	29.14	2947	31.34								
8539	3000	2504	20.74	2586	22.64	2667	24.59	2746	26.6	2825	28.68	2902	30.82	2979	33.04			Shaded Area = Design D					
9677	3400	2623	24.3	2700	26.34	2776	28.42	2850	30.53	2922	32.68	2993	34.88										
10247	3600	2687	26.28	2761	28.39	2835	30.54	2907	32.73	2977	34.95												
10816	3800	2755	28.42	2826	30.59	2897	32.81	2967	35.07														
11385	4000	2826	30.74	2894	32.97	2962	35.25																
11954	4200	2901	33.25	2966	35.53																		
13093	4600																						
14232	5000																						

"Performance certified are for Installation type D "Ducted Inlet,Ducted Outlet".

Power Rating (BHP) does not include transmission losses.

Performance ratings do not include the effects of appurtenances (accessories)."

Static Pressure		0.500"		1.000"		1.500"		2.000"		3.000"		4.000"		5.000"		6.000"		7.000"		8.000"		9.000"			
CFM	OV	RPM	BHP	RPM	BHP	RPM	BHP	RPM	BHP	RPM	BHP	RPM	BHP	RPM	BHP	RPM	BHP	RPM	BHP	RPM	BHP	RPM	BHP		
1148	333	460	0.16																						
3103	900	576	0.42	707	0.75	825	1.13	936	1.57	1131	2.55	1299	3.61												
3448	1000	611	0.5	732	0.85	843	1.24	947	1.69	1138	2.72	1304	3.83	1452	5.03	Unshaded Area = Design B									
4138	1200	685	0.7	790	1.09	890	1.52	983	1.98	1157	3.06	1317	4.29	1462	5.59							1595	6.96		
4827	1400	754	0.94	858	1.39	946	1.86	1032	2.37	1189	3.47	1338	4.75	1478	6.15	1608	7.64	1729	9.18	1843	10.78	1950	12.43		
5517	1600	811	1.21	932	1.77	1011	2.28	1088	2.82	1234	4	1370	5.3	1500	6.74	1625	8.31	1743	9.97	1855	11.68	1961	13.44		
6207	1800	876	1.53	1006	2.22	1083	2.79	1151	3.36	1287	4.62	1414	5.98	1534	7.44	1651	9.04	1763	10.77	1872	12.59	1976	14.47		
6896	2000	951	1.96	1073	2.72	1157	3.38	1221	4.01	1345	5.34	1465	6.78	1578	8.3	1686	9.92	1792	11.66	1895	13.52	1995	15.48		
7586	2200	1031	2.47	1129	3.24	1230	4.07	1295	4.76	1408	6.16	1520	7.68	1628	9.28	1731	10.96	1829	12.73	1926	14.6	2021	16.59		
8276	2400	1113	3.08	1188	3.83	1299	4.81	1370	5.61	1478	7.1	1581	8.69	1683	10.38	1781	12.14	1875	13.97	1966	15.87	2055	17.87		
8965	2600	1195	3.79	1258	4.55	1357	5.57	1442	6.55	1551	8.18	1646	9.84	1741	11.6	1835	13.44	1926	15.36	2013	17.33	2098	19.37		
9655	2800	1279	4.62	1334	5.4	1412	6.39	1509	7.55	1626	9.39	1717	11.13	1805	12.95	1893	14.88	1980	16.88	2064	18.93	2145	21.04		
10345	3000	1363	5.57	1413	6.38	1476	7.34	1566	8.57	1700	10.71	1790	12.58	1873	14.47	1955	16.46	2037	18.53	2118	20.68	2197	22.88		
11724	3400	1533	7.85	1576	8.75	1623	9.73	1683	10.87	1839	13.65	1939	15.91	2019	18.03	2092	20.15	2164	22.35	2237	24.64	2310	27		
12414	3600	1618	9.21	1658	10.15	1701	11.16	1751	12.28	1898	15.17	2012	17.77	2093	20.05	2165	22.28	2234	24.55	2302	26.9	2371	29.33		
13103	3800	1704	10.72	1742	11.71	1781	12.75	1826	13.88	1953	16.74	2082	19.74	2168	22.23	2239	24.59	2306	26.95	2371	29.36	2436	31.85		

Static Pressure		10.000"		11.000"		12.000"		13.000"		14.000"		15.000"		16.000"		17.000"		18.000"		19.000"		20.000"			
CFM	OV	RPM	BHP	RPM	BHP	RPM	BHP	RPM	BHP	RPM	BHP	RPM	BHP	RPM	BHP	RPM	BHP	RPM	BHP	RPM	BHP	RPM	BHP		
7586	2200	2114	18.68	2204	20.85	2292	23.09	2378	25.38	2461	27.71	2541	30.07	2619	32.47	2695	34.91								
8276	2400	2143	19.98	2229	22.19	2314	24.48	2397	26.85	2478	29.29	2557	31.77	2634	34.29	2709	36.84								
8965	2600	2180	21.49	2262	23.71	2343	26.02	2422	28.43	2501	30.92	2577	33.47	2653	36.09	2726	38.76								
9655	2800	2225	23.22	2302	25.46	2379	27.79	2454	30.2	2529	32.71	2603	35.3	2676	37.97										
10345	3000	2274	25.13	2348	27.43	2422	29.79	2494	32.23	2565	34.75	2635	37.35	2705	40.04	Shaded Area = Design D									
11724	3400	2381	29.43	2451	31.9	2520	34.42	2587	36.98	2653	39.59	2718	42.25												
12414	3600	2439	31.82	2507	34.38	2574	36.99	2639	39.64	2703	42.33														
13103	3800	2501	34.42	2566	37.05	2630	39.74	2693	42.48																
13793	4000	2566	37.22	2627	39.92	2689	42.69																		
14482	4200	2634	40.26	2692	43.02																				
15862	4600																								
17241	5000																								

"Performance certified are for Installation type D "Ducted Inlet,Ducted Outlet".

Power Rating (BHP) does not include transmission losses.

Performance ratings do not include the effects of appurtenances (accessories)."

Static Pressure		0.500"		1.000"		1.500"		2.000"		3.000"		4.000"		5.000"		6.000"		7.000"		8.000"		9.000"		
CFM	OV	RPM	BHP	RPM	BHP	RPM	BHP	RPM	BHP	RPM	BHP	RPM	BHP	RPM	BHP	RPM	BHP	RPM	BHP	RPM	BHP	RPM	BHP	
3352	800	457	0.38																					
3771	900	477	0.45																					
4190	1000	499	0.51	626	0.95																			
5028	1200	547	0.68	659	1.17	764	1.72													Unshaded Area = Design B				
5867	1400	603	0.89	703	1.44	794	2.02	884	2.67															
6705	1600	664	1.17	749	1.74	835	2.4	913	3.08															
7543	1800	727	1.52	801	2.12	880	2.82	954	3.57	1092	5.14													
8381	2000	792	1.93	858	2.58	927	3.3	998	4.12	1126	5.8	1252	7.61											
9219	2200	858	2.42	919	3.13	980	3.87	1044	4.72	1168	6.55	1280	8.42	1396	10.48									
10057	2400	926	3	981	3.76	1037	4.55	1094	5.41	1211	7.36	1319	9.36	1421	11.44	1529	13.72							
10895	2600	993	3.67	1046	4.49	1097	5.33	1148	6.22	1256	8.22	1361	10.4	1458	12.58	1553	14.86	1652	17.34					
11733	2800	1062	4.44	1111	5.33	1158	6.22	1206	7.15	1304	9.19	1405	11.49	1499	13.83	1587	16.19	1676	18.67	1768	21.33			
12571	3000	1131	5.32	1177	6.27	1221	7.23	1265	8.2	1356	10.28	1450	12.65	1542	15.16	1628	17.66	1710	20.21	1792	22.86	1878	25.69	
14247	3400	1270	7.44	1311	8.51	1351	9.59	1390	10.68	1468	12.91	1548	15.34	1632	18.03	1715	20.86	1792	23.7	1866	26.55	1939	29.44	
15085	3600	1340	8.7	1379	9.83	1417	10.97	1454	12.12	1527	14.45	1602	16.92	1680	19.64	1759	22.57	1836	25.59	1909	28.59	1978	31.61	
15924	3800	1410	10.09	1447	11.28	1483	12.49	1519	13.7	1588	16.15	1659	18.69	1731	21.42	1806	24.4	1880	27.54	1952	30.73	2021	33.9	

Static Pressure		10.000"		11.000"		12.000"		13.000"		14.000"		15.000"		16.000"		17.000"		18.000"		19.000"		20.000"		
CFM	OV	RPM	BHP	RPM	BHP	RPM	BHP	RPM	BHP	RPM	BHP	RPM	BHP	RPM	BHP	RPM	BHP	RPM	BHP	RPM	BHP	RPM	BHP	
9219	2200																							
10057	2400																							
10895	2600																							
11733	2800																							
12571	3000	1967	28.72																	Shaded Area = Design D				
14247	3400	2011	32.43	2085	35.56																			
15085	3600	2047	34.67	2115	37.82	2185	41.1	2256	44.53	2330	48.14													
15924	3800	2086	37.08	2151	40.31	2216	43.62	2281	47.03	2348	50.59	2417	54.31											
16762	4000	2129	39.63	2191	42.98	2253	46.37	2314	49.83	2376	53.39	2439	57.06											
17600	4200	2172	42.29	2234	45.79	2293	49.31	2352	52.86	2410	56.46	2469	60.16											
19276	4600	2260	47.87	2321	51.72	2379	55.58	2436	59.42															
20952	5000	2354	54.04	2411	58.1	2467	62.25																	

"Performance certified are for Installation type D "Ducted Inlet,Ducted Outlet".

Power Rating (BHP) does not include transmission losses.

Performance ratings do not include the effects of appurtenances (accessories)."

Static Pressure		0.500"		1.000"		1.500"		2.000"		3.000"		4.000"		5.000"		6.000"		7.000"		8.000"		9.000"		
CFM	OV	RPM	BHP	RPM	BHP	RPM	BHP	RPM	BHP	RPM	BHP	RPM	BHP	RPM	BHP	RPM	BHP	RPM	BHP	RPM	BHP	RPM	BHP	
4137	800	413	0.48																					
4654	900	432	0.55																					
5171	1000	452	0.64	566	1.17																			
6205	1200	495	0.84	597	1.45	691	2.12													Unshaded Area = Design B				
7240	1400	546	1.11	636	1.78	718	2.5	799	3.29															
8274	1600	602	1.46	678	2.15	756	2.97	826	3.8															
9308	1800	659	1.88	726	2.62	796	3.49	864	4.42	988	6.34													
10342	2000	719	2.4	778	3.2	840	4.09	904	5.09	1019	7.16	1131	9.39											
11376	2200	779	3.01	833	3.88	888	4.8	945	5.84	1057	8.1	1158	10.4	1262	12.92									
12411	2400	840	3.73	890	4.68	940	5.65	991	6.7	1097	9.1	1193	11.58	1285	14.13	1381	16.92							
13445	2600	902	4.57	949	5.59	994	6.62	1040	7.71	1138	10.17	1232	12.86	1319	15.55	1404	18.35	1493	21.38					
14479	2800	964	5.53	1008	6.63	1050	7.73	1093	8.87	1181	11.38	1272	14.21	1357	17.1	1436	20.01	1515	23.05	1597	26.31			
15513	3000	1027	6.63	1068	7.8	1108	8.98	1147	10.18	1228	12.74	1313	15.65	1396	18.74	1473	21.83	1547	24.97	1621	28.23	1697	31.69	
17582	3400	1153	9.28	1190	10.6	1226	11.93	1261	13.27	1331	16.03	1403	19	1478	22.31	1552	25.79	1622	29.31	1689	32.81	1754	36.38	
18616	3600	1216	10.84	1251	12.24	1285	13.65	1319	15.07	1385	17.94	1452	20.98	1522	24.32	1593	27.92	1662	31.64	1728	35.35	1790	39.07	
19650	3800	1280	12.58	1313	14.06	1346	15.54	1378	17.04	1440	20.05	1503	23.18	1568	26.54	1635	30.2	1702	34.07	1767	38	1829	41.92	

Static Pressure		10.000"		11.000"		12.000"		13.000"		14.000"		15.000"		16.000"		17.000"		18.000"		19.000"		20.000"		
CFM	OV	RPM	BHP	RPM	BHP	RPM	BHP	RPM	BHP	RPM	BHP	RPM	BHP	RPM	BHP	RPM	BHP	RPM	BHP	RPM	BHP	RPM	BHP	
11376	2200																							
12411	2400																							
13445	2600																							
14479	2800																							
15513	3000	1777	35.41																	Shaded Area = Design D				
17582	3400	1819	40.05	1885	43.89	1954	47.94																	
18616	3600	1851	42.84	1913	46.71	1975	50.73	2039	54.93	2105	59.35													
19650	3800	1888	45.84	1946	49.81	2004	53.87	2063	58.07	2123	62.43	2184	66.98											
20684	4000	1927	49	1983	53.13	2038	57.3	2093	61.56	2149	65.92	2205	70.44											
21719	4200	1966	52.29	2021	56.62	2075	60.95	2128	65.32	2180	69.76													
23787	4600	2046	59.21	2101	63.96	2153	68.73	2204	73.46															
25856	5000	2131	66.89	2183	71.88																			

"Performance certified are for Installation type D "Ducted Inlet,Ducted Outlet".

Power Rating (BHP) does not include transmission losses.

Performance ratings do not include the effects of appurtenances (accessories)."

Static Pressure		0.500"		1.000"		1.500"		2.000"		3.000"		4.000"		5.000"		6.000"		7.000"		8.000"		9.000"		
CFM	OV	RPM	BHP	RPM	BHP	RPM	BHP	RPM	BHP	RPM	BHP	RPM	BHP	RPM	BHP	RPM	BHP	RPM	BHP	RPM	BHP	RPM	BHP	
5007	800	376	0.58																					
5632	900	393	0.67																					
6258	1000	411	0.77	514	1.42																			
7510	1200	450	1.01	542	1.75	628	2.56													Unshaded Area = Design B				
8762	1400	497	1.34	578	2.15	653	3.03	726	3.98															
10013	1600	547	1.76	617	2.61	687	3.6	751	4.6															
11265	1800	600	2.28	660	3.17	724	4.22	785	5.35	898	7.67													
12517	2000	653	2.9	708	3.87	764	4.95	821	6.16	926	8.67	1029	11.36											
13768	2200	708	3.65	758	4.7	807	5.81	859	7.06	961	9.8	1053	12.59	1147	15.64									
15020	2400	764	4.52	809	5.66	855	6.84	901	8.11	997	11.01	1085	14.01	1169	17.1	1256	20.48							
16271	2600	820	5.53	862	6.76	904	8.02	946	9.33	1034	12.31	1120	15.56	1199	18.81	1276	22.21	1357	25.88					
17523	2800	876	6.69	916	8.02	955	9.36	994	10.74	1074	13.77	1156	17.19	1233	20.69	1306	24.22	1378	27.9	1452	31.84	1530	36.12	
18775	3000	933	8.03	971	9.44	1007	10.87	1043	12.32	1117	15.42	1194	18.94	1269	22.68	1339	26.42	1406	30.22	1474	34.16	1543	38.35	
21278	3400	1048	11.23	1082	12.83	1114	14.45	1146	16.07	1210	19.4	1275	23	1344	27	1411	31.22	1475	35.47	1535	39.71	1594	44.03	
22530	3600	1106	13.13	1138	14.82	1169	16.53	1199	18.24	1259	21.72	1320	25.4	1383	29.44	1448	33.79	1511	38.29	1571	42.79	1627	47.28	
23781	3800	1164	15.24	1194	17.02	1224	18.82	1253	20.63	1310	24.27	1367	28.06	1426	32.13	1487	36.56	1548	41.23	1607	45.99	1663	50.73	

Static Pressure		10.000"		11.000"		12.000"		13.000"		14.000"		15.000"		16.000"		17.000"		18.000"		19.000"		20.000"		
CFM	OV	RPM	BHP	RPM	BHP	RPM	BHP	RPM	BHP	RPM	BHP	RPM	BHP	RPM	BHP	RPM	BHP	RPM	BHP	RPM	BHP	RPM	BHP	
13768	2200																							
15020	2400																							
16271	2600																							
17523	2800																							
18775	3000	1615	42.86																	Shaded Area = Design D				
21278	3400	1654	48.47	1714	53.12	1776	58.02																	
22530	3600	1683	51.85	1739	56.53	1796	61.39	1854	66.48	1914	71.83													
23781	3800	1716	55.48	1769	60.28	1822	65.2	1875	70.28	1930	75.55	1986	81.06											
25033	4000	1752	59.31	1803	64.3	1853	69.35	1903	74.5	1953	79.78	2005	85.25											
26285	4200	1787	63.29	1838	68.53	1887	73.77	1935	79.06	1982	84.43													
28788	4600	1860	71.66	1910	77.41	1958	83.18	2004	88.91															
31291	5000	1938	80.96	1984	87																			

"Performance certified are for Installation type D "Ducted Inlet,Ducted Outlet".

Power Rating (BHP) does not include transmission losses.

Performance ratings do not include the effects of appurtenances (accessories)."

Static Pressure		0.500"		1.000"		1.500"		2.000"		3.000"		4.000"		5.000"		6.000"		7.000"		8.000"		9.000"		
CFM	OV	RPM	BHP	RPM	BHP	RPM	BHP	RPM	BHP	RPM	BHP	RPM	BHP	RPM	BHP	RPM	BHP	RPM	BHP	RPM	BHP	RPM	BHP	
6118	800	336	0.7																					
6883	900	352	0.82																					
7648	1000	370	0.95	460	1.74																			
9177	1200	406	1.27	486	2.14	561	3.14													Unshaded Area = Design B				
10707	1400	446	1.67	521	2.65	584	3.7	649	4.89															
12237	1600	489	2.19	556	3.25	617	4.41	672	5.62	787	8.48													
13766	1800	535	2.83	594	3.96	653	5.24	704	6.55	803	9.4	907	12.82											
15296	2000	581	3.6	635	4.83	689	6.17	740	7.61	829	10.59	919	13.95	1013	17.84									
16825	2200	629	4.5	678	5.85	727	7.25	776	8.79	862	11.99	942	15.39	1025	19.21	1110	23.52							
18355	2400	678	5.57	723	7.03	767	8.52	812	10.12	897	13.57	972	17.11	1045	20.93	1122	25.16	1200	29.84					
19884	2600	727	6.8	769	8.39	810	9.99	851	11.64	933	15.29	1006	19.07	1073	22.98	1141	27.19	1212	31.79	1285	36.8	1357	42.26	
21414	2800	776	8.22	816	9.94	854	11.65	892	13.39	969	17.17	1041	21.21	1106	25.3	1168	29.58	1232	34.16	1298	39.1	1365	44.42	
22943	3000	826	9.84	863	11.68	899	13.51	935	15.35	1006	19.25	1077	23.52	1141	27.86	1200	32.29	1258	36.92	1318	41.83	1379	47.08	
26003	3400	927	13.73	960	15.82	992	17.9	1024	19.97	1086	24.19	1150	28.72	1212	33.56	1270	38.48	1323	43.43	1375	48.51	1426	53.79	
27532	3600	977	16.03	1009	18.24	1039	20.45	1069	22.65	1129	27.06	1188	31.71	1248	36.7	1306	41.89	1359	47.1	1409	52.36	1457	57.76	
29062	3800	1028	18.59	1058	20.92	1087	23.25	1116	25.58	1172	30.22	1228	35	1285	40.11	1341	45.5	1395	51	1444	56.5	1491	62.07	

Static Pressure		10.000"		11.000"		12.000"		13.000"		14.000"		15.000"		16.000"		17.000"		18.000"		19.000"		20.000"		
CFM	OV	RPM	BHP	RPM	BHP	RPM	BHP	RPM	BHP	RPM	BHP	RPM	BHP	RPM	BHP	RPM	BHP	RPM	BHP	RPM	BHP	RPM	BHP	
16825	2200																							
18355	2400																							
19884	2600																							
21414	2800																							
22943	3000	1441	52.69																	Shaded Area = Design D				
26003	3400	1479	59.32	1532	65.14	1587	71.27	1642	77.73	1698	84.51													
27532	3600	1506	63.34	1555	69.15	1605	75.24	1657	81.61	1709	88.29	1761	95.28	1813	102.56	1865	110.18	1917	118.09					
29062	3800	1537	67.77	1583	73.63	1629	79.73	1677	86.07	1725	92.68	1774	99.58	1824	106.76	1873	114.23	1923	121.99					
30591	4000	1571	72.56	1614	78.55	1658	84.71	1702	91.06	1747	97.65	1792	104.5	1839	111.59	1885	118.98							
32121	4200	1606	77.68	1648	83.84	1690	90.12	1731	96.56	1773	103.17	1815	110	1859	117.07	1902	124.37							
35180	4600	1677	88.75	1719	95.4	1759	102.08	1798	108.83															
38239	5000	1749	100.87	1790	108.07	1830	115.31																	

"Performance certified are for Installation type D "Ducted Inlet,Ducted Outlet".

Power Rating (BHP) does not include transmission losses.

Performance ratings do not include the effects of appurtenances (accessories)."

Static Pressure		0.500"		1.000"		1.500"		2.000"		3.000"		4.000"		5.000"		6.000"		7.000"		8.000"		9.000"		
CFM	OV	RPM	BHP	RPM	BHP	RPM	BHP	RPM	BHP	RPM	BHP	RPM	BHP	RPM	BHP	RPM	BHP	RPM	BHP	RPM	BHP	RPM	BHP	
7513	800	305	0.86																					
8452	900	320	1.01																					
9391	1000	336	1.17	417	2.14																			
11269	1200	369	1.56	441	2.63	509	3.86													Unshaded Area = Design B				
13147	1400	406	2.07	473	3.27	530	4.55	589	6															
15025	1600	446	2.72	506	4.01	561	5.43	610	6.91	714	10.4													
16904	1800	487	3.51	541	4.9	594	6.45	640	8.06	728	11.55	822	15.71											
18782	2000	530	4.46	578	5.97	626	7.61	673	9.38	753	13.03	834	17.12	918	21.86									
20660	2200	574	5.59	618	7.24	661	8.96	705	10.84	783	14.77	855	18.92	930	23.57	1006	28.81							
22538	2400	618	6.91	658	8.71	698	10.54	739	12.49	816	16.72	883	21.06	949	25.72	1018	30.87	1088	36.56					
24416	2600	663	8.45	700	10.41	737	12.36	774	14.39	848	18.85	914	23.48	975	28.27	1036	33.4	1100	39	1165	45.11	1230	51.73	
26295	2800	708	10.21	743	12.33	778	14.42	812	16.55	881	21.18	947	26.14	1005	31.16	1061	36.38	1118	41.96	1177	47.97	1237	54.45	
28173	3000	753	12.23	787	14.49	819	16.74	851	19	915	23.77	979	28.99	1037	34.32	1090	39.75	1143	45.4	1196	51.39	1251	57.79	
31929	3400	845	17.07	875	19.64	904	22.2	932	24.74	989	29.91	1046	35.44	1102	41.37	1155	47.41	1203	53.49	1249	59.7	1295	66.15	
33807	3600	892	19.94	920	22.65	947	25.37	974	28.07	1028	33.49	1081	39.16	1135	45.27	1187	51.63	1235	58.03	1280	64.48	1324	71.08	
35685	3800	938	23.13	965	25.99	991	28.86	1017	31.71	1067	37.41	1118	43.27	1169	49.5	1220	56.11	1268	62.85	1313	69.61	1355	76.43	

Static Pressure		10.000"		11.000"		12.000"		13.000"		14.000"		15.000"		16.000"		17.000"		18.000"		19.000"		20.000"		
CFM	OV	RPM	BHP	RPM	BHP	RPM	BHP	RPM	BHP	RPM	BHP	RPM	BHP	RPM	BHP	RPM	BHP	RPM	BHP	RPM	BHP	RPM	BHP	
20660	2200																							
22538	2400																							
24416	2600																							
26295	2800																							
28173	3000	1307	64.6																	Shaded Area = Design D				
31929	3400	1342	72.89	1390	79.98	1439	87.45	1489	95.3	1539	103.54													
33807	3600	1368	77.89	1412	84.98	1457	92.4	1503	100.17	1550	108.29	1597	116.77	1644	125.66									
35685	3800	1397	83.4	1438	90.57	1479	98	1522	105.73	1565	113.78	1609	122.18	1654	130.89									
37564	4000	1428	89.35	1467	96.68	1506	104.2	1545	111.94	1586	119.99	1626	128.31											
39442	4200	1460	95.69	1498	103.24	1536	110.93	1573	118.78	1610	126.86	1648	135.18											
43198	4600	1525	109.38	1563	117.56	1599	125.75	1634	134.02															
46955	5000	1590	124.4	1628	133.23																			

"Performance certified are for Installation type D "Ducted Inlet,Ducted Outlet".

Power Rating (BHP) does not include transmission losses.

Performance ratings do not include the effects of appurtenances (accessories)."

Static Pressure		0.500"		1.000"		1.500"		2.000"		3.000"		4.000"		5.000"		6.000"		7.000"		8.000"		9.000"	
CFM	OV	RPM	BHP	RPM	BHP	RPM	BHP	RPM	BHP	RPM	BHP	RPM	BHP	RPM	BHP	RPM	BHP	RPM	BHP	RPM	BHP	RPM	BHP
9104	800	275	1.05																				
10242	900	288	1.22																				
11380	1000	303	1.41	377	2.59																		
13656	1200	333	1.88	398	3.18	459	4.68																
15932	1400	365	2.49	426	3.94	478	5.5	532	7.27														
18208	1600	401	3.26	456	4.83	505	6.56	550	8.37	645	12.63												
20484	1800	438	4.21	486	5.89	535	7.79	577	9.74	658	13.99	743	19.08										
22760	2000	476	5.34	520	7.17	564	9.18	606	11.32	679	15.75	753	20.76	830	26.56								
25036	2200	515	6.69	555	8.69	595	10.78	635	13.08	706	17.84	771	22.9	840	28.59	910	35.01						
27312	2400	555	8.27	592	10.45	628	12.67	665	15.05	735	20.18	796	25.46	856	31.14	919	37.44	983	44.42				
29588	2600	595	10.1	629	12.47	663	14.84	697	17.31	764	22.74	824	28.36	879	34.19	935	40.46	993	47.31	1052	54.78	1112	62.9
31864	2800	635	12.21	668	14.77	699	17.31	730	19.9	793	25.53	853	31.54	906	37.64	957	44.01	1009	50.82	1063	58.18	1118	66.11
34140	3000	676	14.61	707	17.36	736	20.08	765	22.82	824	28.63	882	34.97	934	41.44	983	48.03	1030	54.92	1079	62.24	1130	70.06
38692	3400	758	20.39	786	23.5	812	26.6	838	29.68	889	35.96	941	42.7	993	49.9	1040	57.22	1084	64.6	1126	72.16	1168	80.02
40968	3600	800	23.81	826	27.09	851	30.38	875	33.65	924	40.23	973	47.14	1022	54.58	1069	62.29	1113	70.05	1154	77.89	1194	85.92
43244	3800	841	27.6	866	31.07	890	34.55	913	38.01	960	44.91	1006	52.03	1052	59.64	1098	67.66	1142	75.84	1182	84.03	1221	92.33

Unshaded Area = Design B

Static Pressure		10.000"		11.000"		12.000"		13.000"		14.000"		15.000"		16.000"		17.000"		18.000"		19.000"		20.000"	
CFM	OV	RPM	BHP	RPM	BHP	RPM	BHP	RPM	BHP	RPM	BHP	RPM	BHP	RPM	BHP	RPM	BHP	RPM	BHP	RPM	BHP	RPM	BHP
25036	2200																						
27312	2400																						
29588	2600																						
31864	2800																						
34140	3000	1181	78.43																				
38692	3400	1211	88.26	1255	96.93	1300	106.07	1345	115.69	1391	125.8												
40968	3600	1233	94.22	1274	102.89	1315	111.96	1357	121.45	1400	131.41	1443	141.82	1486	152.67								
43244	3800	1259	100.81	1296	109.54	1334	118.61	1374	128.07	1413	137.92	1453	148.19	1494	158.9								
45520	4000	1286	107.93	1322	116.85	1358	126.01	1394	135.48	1431	145.28	1468	155.5										
47796	4200	1315	115.53	1350	124.71	1384	134.06	1418	143.64	1452	153.48	1487	163.67										
52348	4600	1373	131.98	1408	141.88	1440	151.83	1472	161.87														
56900	5000	1432	149.99	1466	160.72	1499	171.48																

Shaded Area = Design D

"Performance certified are for Installation type D "Ducted Inlet,Ducted Outlet".

Power Rating (BHP) does not include transmission losses.

Performance ratings do not include the effects of appurtenances (accessories)."

Static Pressure		0.500"		1.000"		1.500"		2.000"		3.000"		4.000"		5.000"		6.000"		7.000"		8.000"		9.000"	
CFM	OV	RPM	BHP	RPM	BHP	RPM	BHP	RPM	BHP	RPM	BHP	RPM	BHP	RPM	BHP	RPM	BHP	RPM	BHP	RPM	BHP	RPM	BHP
11025	800	250	1.27																				
12403	900	262	1.47																				
13781	1000	275	1.71	342	3.14																		
16538	1200	302	2.28	361	3.85	417	5.67																
19294	1400	331	3.01	387	4.77	434	6.66	483	8.81														
22050	1600	363	3.94	414	5.85	459	7.94	500	10.13	586	15.29												
24806	1800	397	5.09	441	7.13	485	9.42	524	11.78	597	16.95	675	23.12										
27563	2000	432	6.46	472	8.68	512	11.1	550	13.7	616	19.07	684	25.14	754	32.18								
30319	2200	467	8.09	504	10.51	540	13.05	576	15.83	641	21.59	700	27.73	762	34.63	826	42.42						
33075	2400	503	10	537	12.64	570	15.33	604	18.21	667	24.42	722	30.82	777	37.71	834	45.35	893	53.82				
35831	2600	540	12.21	571	15.08	602	17.95	632	20.94	693	27.52	747	34.32	798	41.39	849	48.99	902	57.3	956	66.36	1009	76.21
38588	2800	576	14.76	606	17.86	634	20.93	663	24.07	720	30.9	774	38.18	822	45.56	868	53.28	916	61.54	965	70.47	1015	80.09
41344	3000	613	17.66	641	20.98	668	24.28	694	27.6	748	34.64	800	42.33	848	50.16	892	58.14	935	66.49	980	75.37	1026	84.85
46856	3400	688	24.64	713	28.4	737	32.16	760	35.89	807	43.49	854	51.66	901	60.39	944	69.26	984	78.19	1022	87.36	1060	96.88
49613	3600	726	28.77	749	32.75	772	36.74	794	40.69	838	48.66	883	57.03	928	66.04	970	75.39	1010	84.78	1047	94.28	1083	104.01
52369	3800	763	33.36	786	37.56	807	41.76	829	45.95	871	54.32	912	62.94	955	72.16	997	81.89	1037	91.79	1073	101.71	1108	111.76

Unshaded Area = Design B

Static Pressure		10.000"		11.000"		12.000"		13.000"		14.000"		15.000"		16.000"		17.000"		18.000"		19.000"		20.000"	
CFM	OV	RPM	BHP	RPM	BHP	RPM	BHP	RPM	BHP	RPM	BHP	RPM	BHP	RPM	BHP	RPM	BHP	RPM	BHP	RPM	BHP	RPM	BHP
30319	2200																						
33075	2400																						
35831	2600																						
38588	2800																						
41344	3000	1072	95																				
46856	3400	1099	106.87	1140	117.38	1180	128.46	1222	140.13	1263	152.4												
49613	3600	1120	114.08	1156	124.58	1194	135.58	1232	147.09	1271	159.16	1310	171.8	1349	184.95								
52369	3800	1143	122.04	1177	132.63	1211	143.62	1247	155.09	1283	167.04	1320	179.48	1357	192.47								
55125	4000	1168	130.65	1200	141.45	1233	152.56	1265	164.04	1299	175.93	1333	188.31	1367	201.12								
57882	4200	1194	139.84	1225	150.96	1256	162.29	1287	173.9	1318	185.83	1350	198.18										
63394	4600	1247	159.73	1278	171.73	1307	183.77	1336	195.93														
68907	5000	1300	181.52	1331	194.51	1360	207.54																

Shaded Area = Design D

"Performance certified are for Installation type D "Ducted Inlet,Ducted Outlet".

Power Rating (BHP) does not include transmission losses.

Performance ratings do not include the effects of appurtenances (accessories)."

Static Pressure		0.500"		1.000"		1.500"		2.000"		3.000"		4.000"		5.000"		6.000"		7.000"		8.000"		9.000"	
CFM	OV	RPM	BHP	RPM	BHP	RPM	BHP	RPM	BHP	RPM	BHP	RPM	BHP	RPM	BHP	RPM	BHP	RPM	BHP	RPM	BHP	RPM	BHP
13533	800	226	1.55																				
15224	900	237	1.81																				
16916	1000	249	2.1	309	3.86																		
20299	1200	273	2.8	326	4.73	377	6.96													Unshaded Area = Design B			
23682	1400	300	3.7	350	5.86	392	8.18	436	10.81														
27066	1600	329	4.85	374	7.19	415	9.75	451	12.44	529	18.77												
30449	1800	359	6.25	399	8.76	439	11.58	473	14.47	539	20.8	609	28.37										
33832	2000	390	7.95	426	10.67	463	13.64	497	16.83	557	23.42	618	30.86	681	39.48								
37215	2200	423	9.95	455	12.92	488	16.03	521	19.44	579	26.51	633	34.04	689	42.5	746	52.04						
40598	2400	455	12.3	485	15.54	515	18.84	546	22.38	603	30	653	37.84	702	46.3	754	55.66	807	66.03				
43982	2600	488	15.02	516	18.55	544	22.07	572	25.74	627	33.81	676	42.15	721	50.82	767	60.14	815	70.32	863	81.42	912	93.5
47365	2800	521	18.15	548	21.96	573	25.73	599	29.58	651	37.96	699	46.89	743	55.95	785	65.42	828	75.55	872	86.48	917	98.27
50748	3000	555	21.73	580	25.8	604	29.85	628	33.92	676	42.56	723	51.99	766	61.6	806	71.4	845	81.64	885	92.52	927	104.14
57514	3400	622	30.32	645	34.94	666	39.55	687	44.13	730	53.45	772	63.47	814	74.18	853	85.07	889	96.03	924	107.27	958	118.95
60898	3600	656	35.4	677	40.28	698	45.18	718	50.03	758	59.81	798	70.08	838	81.13	877	92.61	913	104.13	946	115.78	979	127.72
64281	3800	690	41.05	711	46.2	730	51.36	749	56.51	787	66.77	825	77.36	863	88.66	901	100.59	937	112.74	970	124.92	1002	137.25

Static Pressure		10.000"		11.000"		12.000"		13.000"		14.000"		15.000"		16.000"		17.000"		18.000"		19.000"		20.000"	
CFM	OV	RPM	BHP	RPM	BHP	RPM	BHP	RPM	BHP	RPM	BHP	RPM	BHP	RPM	BHP	RPM	BHP	RPM	BHP	RPM	BHP	RPM	BHP
37215	2200																						
40598	2400																						
43982	2600																						
47365	2800																						
50748	3000	969	116.57																	Shaded Area = Design D			
57514	3400	993	131.19	1030	144.08	1066	157.66	1104	171.96	1141	186.99												
60898	3600	1012	140.07	1045	152.94	1079	166.42	1113	180.53	1148	195.32	1183	210.8	1219	226.92								
64281	3800	1033	149.85	1063	162.84	1095	176.32	1127	190.38	1159	205.02	1192	220.27	1225	236.19								
67664	4000	1055	160.44	1085	173.7	1114	187.32	1143	201.39	1174	215.96	1204	231.14	1235	246.84								
71047	4200	1079	171.74	1107	185.39	1135	199.29	1163	213.53	1191	228.15	1220	243.29										
77814	4600	1127	196.2	1155	210.92	1182	225.7	1208	240.62														
84580	5000	1175	222.98	1203	238.92	1230	254.93																

"Performance certified are for Installation type D "Ducted Inlet,Ducted Outlet".

Power Rating (BHP) does not include transmission losses.

Performance ratings do not include the effects of appurtenances (accessories)."

Static Pressure		0.500"		1.000"		1.500"		2.000"		3.000"		4.000"		5.000"		6.000"		7.000"		8.000"		9.000"	
CFM	OV	RPM	BHP	RPM	BHP	RPM	BHP	RPM	BHP	RPM	BHP	RPM	BHP	RPM	BHP	RPM	BHP	RPM	BHP	RPM	BHP	RPM	BHP
16542	800	204	1.9																				
18610	900	214	2.21																				
20677	1000	225	2.57	279	4.71																		
24813	1200	247	3.42	295	5.78	341	8.5																
28948	1400	271	4.52	316	7.16	355	9.99	394	13.22														
33084	1600	297	5.92	338	8.78	375	11.91	408	15.2	478	22.94												
37219	1800	324	7.64	361	10.7	396	14.14	428	17.69	488	25.43	551	34.68										
41355	2000	353	9.7	385	13.03	418	16.67	449	20.56	503	28.62	558	37.72	616	48.27								
45490	2200	382	12.15	412	15.79	441	19.59	471	23.76	523	32.4	572	41.6	623	51.95	675	63.63						
49626	2400	411	15.02	439	18.98	466	23.01	493	27.34	545	36.66	590	46.25	635	56.59	682	68.04	729	80.73				
53761	2600	441	18.34	467	22.65	491	26.95	517	31.44	566	41.31	611	51.51	652	62.11	693	73.51	736	85.96	780	99.55	824	114.32
57897	2800	471	22.17	495	26.82	518	31.43	541	36.14	588	46.38	632	57.3	671	68.38	709	79.95	748	92.34	788	105.72	829	120.14
62032	3000	501	26.53	524	31.51	546	36.46	567	41.44	611	51.99	654	63.53	693	75.28	729	87.26	764	99.78	800	113.09	838	127.3
70303	3400	562	37.01	582	42.66	602	48.3	621	53.9	659	65.3	698	77.55	736	90.65	771	103.95	804	117.35	835	131.1	866	145.38
74439	3600	593	43.21	612	49.19	631	55.17	649	61.11	685	73.06	721	85.61	758	99.13	793	113.16	825	127.25	855	141.49	885	156.09
78574	3800	624	50.11	642	56.41	660	62.72	677	69.01	711	81.56	746	94.5	780	108.32	814	122.91	847	137.76	877	152.65	905	167.72

Unshaded Area = Design B

Static Pressure		10.000"		11.000"		12.000"		13.000"		14.000"		15.000"		16.000"		17.000"		18.000"		19.000"		20.000"	
CFM	OV	RPM	BHP	RPM	BHP	RPM	BHP	RPM	BHP	RPM	BHP	RPM	BHP	RPM	BHP	RPM	BHP	RPM	BHP	RPM	BHP	RPM	BHP
45490	2200																						
49626	2400																						
53761	2600																						
57897	2800																						
62032	3000	876	142.51																				
70303	3400	898	160.35	931	176.12	964	192.73	998	210.23	1031	228.61												
74439	3600	915	171.19	944	186.93	975	203.42	1006	220.68	1038	238.78	1070	257.72	1102	277.44								
78574	3800	933	183.14	961	199.02	990	215.5	1019	232.7	1048	250.61	1078	269.27	1108	288.75								
82710	4000	954	196.07	980	212.28	1007	228.94	1034	246.15	1061	263.97	1089	282.54										
86845	4200	975	209.87	1001	226.55	1026	243.55	1051	260.96	1077	278.85	1103	297.37										
95116	4600	1018	239.75	1044	257.74	1068	275.81	1092	294.05														
103387	5000	1062	272.45	1087	291.94	1111	311.5																

Shaded Area = Design D

"Performance certified are for Installation type D "Ducted Inlet,Ducted Outlet".

Power Rating (BHP) does not include transmission losses.

Performance ratings do not include the effects of appurtenances (accessories)."



The Composite Fan Company

Composite Fan Selector - electronic media that saves time
request a CD or download from www.universalfan.com

Universal Composite Fan Selector v 2.24

Universal Fan & Blower Ltd 'The composite fan company'

Technical - Submittal Information

Back

Add to Proposal
View Curve
View Drawing

Selection

Proposal

Configuration

Our Library

Exit

Friday, 12th May 2006

Conditions Specified	
Volume	12568 cfm
Inlet Pressure	0.00 inwg (Static)
Outlet Pressure	10.50 inwg (Static)
Density	0.074 lb/ft3
Humidity	100 %
Operating Temperature	70 °F
Altitude	0 ft above sea level
Selection	
Product Code	FBIXD-245-12036
Volume	12568 cfm
Pressure @ 0.074 Lb/ft3	10.50 inwg (Static)
Pressure @ 0.075 Lb/ft3	10.59 inwg (Static)
Power @ 0.074 Lb/ft3	33.64 bhp
Power @ 0.075 Lb/ft3	33.92 bhp
Fan Speed / Max Speed	2493 / 2728 rpm
Wheel Tip Speed	15992 fpm
Outlet Velocity	3644 fpm
Efficiency	62 %
Motor (right click for motor resize)	
Frame Size	324T
Enclosure	TEFC
Efficiency	EPACT
Speed (Sync.)	1800 rpm
Power	40.00 HP
Supply	460/3/60

Sound Information

Sound Power Levels in dB re. 10⁻¹² Watts:

Octave Bands (Hz)	63	125	250	500	1k	2k	4k	8k
Level at Inlet (dB)	108	112	113	108	106	100	93	87

Overall Sound Power (LWA) 111 dBA

Estimated Overall Sound Pressure (LpA) 100 dBA @ 5 ft

Free field distance : Recalculate

Notes :
Estimated sound pressure based on free field hemispherical radiation (Q = 2), at the stated distance. Sound Pressure levels of a fan are affected by the acoustic properties of the surrounding's in which it is installed and consequently dBA levels cannot be guaranteed.
 Refer to AMCA Publication 303 for further information.

"Universal Fan & Blower Ltd. certifies that the FBIX series of fans herein are licensed to bear the AMCA Seal. The ratings are based upon tests and procedures performed in accordance with AMCA publications 211 and 311 and comply with the requirements of the AMCA Certified Ratings Program."

"AMCA Licensed for Sound and Air Performance without Appurtenances and Accessories." AMCA

UNIVERSAL FAN & BLOWER LTD.

DRAWN BY: NM	DESIGNED BY:
APPROVED:	
DATE: 01/20/06	PART NUMBER:
REV. DATE:	