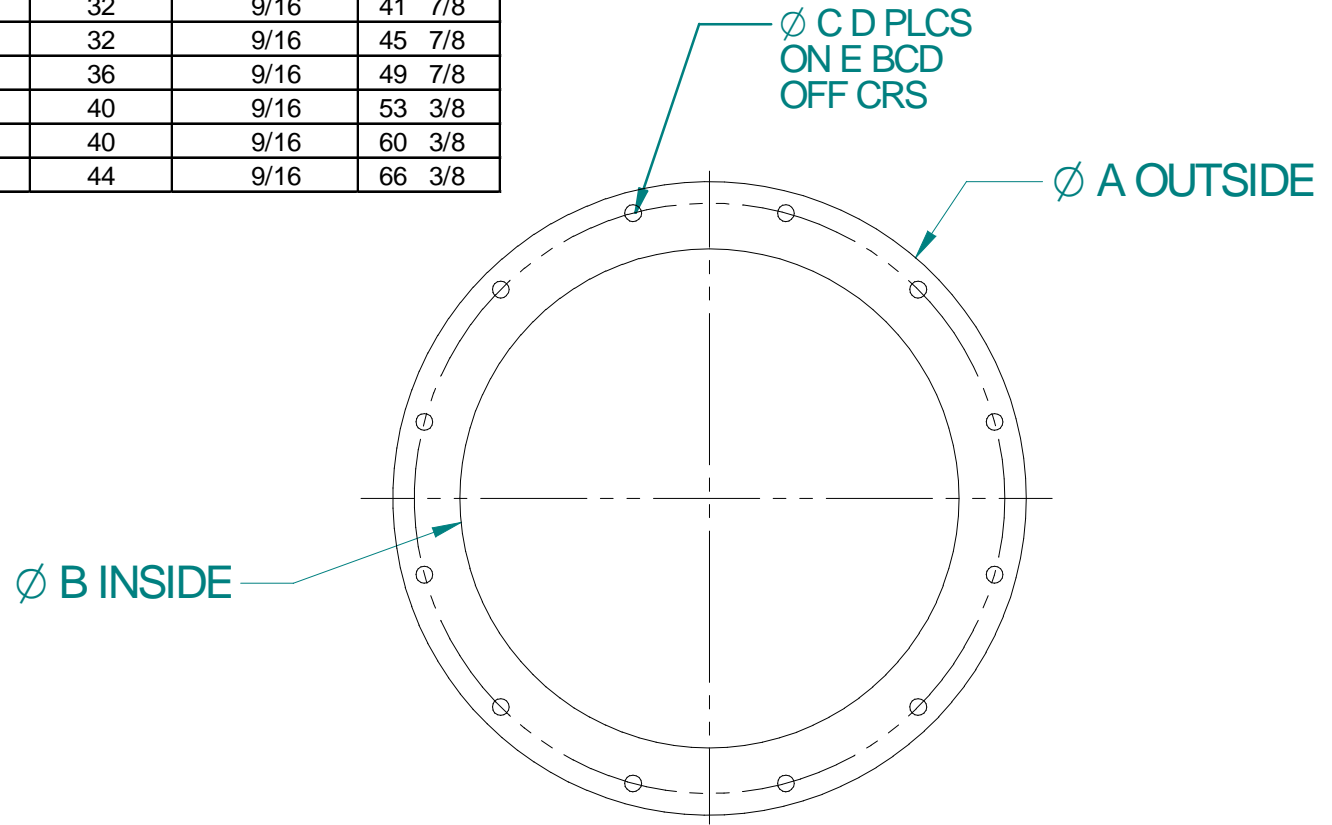


DWG.#:

REV.:

PART #	SIZE	A	B	C	D	E
IFLNG-010-FT	122	16 1/2	13	12	7/16	15 3/8
IFLNG-011-FT	135	17 5/8	14 1/8	12	7/16	16 1/2
IFLNG-012-FT	150	19 1/8	15 5/8	12	7/16	18
IFLNG-013-FT	165	20 7/8	17 3/8	16	7/16	19 3/4
IFLNG-014-FT	182	22 1/2	19	16	7/16	21 3/8
IFLNG-015-FT	200	25	21 1/2	16	7/16	23 7/8
IFLNG-016-FT	222	27	23 1/2	20	7/16	25 7/8
IFLNG-017-FT	245	29 1/2	26	20	7/16	28 3/8
IFLNG-018-FT	270	33	28	24	9/16	31 3/8
IFLNG-019-FT	300	36 1/2	31 1/2	24	9/16	34 7/8
IFLNG-020-FT	330	39 3/4	34 3/4	28	9/16	38 1/8
IFLNG-021-FT	365	43 1/2	38 1/2	32	9/16	41 7/8
IFLNG-022-FT	402	47 1/2	42 1/2	32	9/16	45 7/8
IFLNG-023-FT	445	51 1/2	46 1/2	36	9/16	49 7/8
IFLNG-024-FT	490	55 1/2	50 1/2	40	9/16	53 3/8
IFLNG-025-FT	540	62	57	40	9/16	60 3/8
IFLNG-026-FT	600	68	63	44	9/16	66 3/8



UNIVERSAL FAN & BLOWER LTD.

DRAWN BY: NM
 APPROVED:
 DATE: 08/29/05
 REV. DATE:

DESCRIPTION:
 PART NUMBER:

FBIX INLET FLANGE DETAILS